



Push Plate



India International House Ltd.

ADDRESS : B-1 MMTTC / STC Colony, LSC Navjivan Vihar,
New Delhi-110017 (INDIA)

PHONE NO. : +91 11 26691550, 43575156

MOBILE NO. : +91 9810021354, 9811036192

EMAIL : kulin@skggroup.com ,abg@skggroup.com, skg@skggroup.com

WEBSITE : www.builderhardware.com



Quaker Push Plate

Dimension - 7" 10"

Weight - (0.132gm) 0.256gm/
0.280gm)

Finish - Unlacquered, Oil
Rubbed Bronze

Material - Brass

PU - 03



Apollo Push Plate

Dimension - 18" / 16"

Weight - 1.082gm/ 0.886gm

Finish - Unlacquered

Material - Brass

PU - 04



Overal Rope Push Plate

Dimension -10"

Weight - 0.530gm

Finish - Antique Brass, Polish Nickle,
Satin Nickle, Oil Rubbed
Bronze, Unlacquered

Material - Brass

PU - 05

Art & Dart Push Plate



Dimension - 10"

Weight - 0.574gm

Finish - Unlacquered, Satin Nickle, Antique Brass, Oil Rubbed Bronze

Material - Brass

PU - 06

European Push Plate



Dimension - 18" / 16" 23"

Weight - 0.510/ 0.872gm/ 1.266kg

Finish - Polished Nickle, Antique Brass, Satin Nickle, Oil Rubbed Bronze, Unlacquered

Material - Brass

PU - 07

Victorian Push Plates



Dimension - 8" 15"

Weight - 0.366gm/ 0.730gm

Finish - Unlacquered, Polished Nickle, Polished, Brass, Oil Rubbed Bronze, Antique Brass

Material - Brass

PU - 08

Rope Push Plate



Dimension - 12"

Weight - 0.686gm

Finish - Antique Brass, Oil Rubbed Bronze Unlacquered, Polished Nickle

Material - Brass

PU -10

Palladian Push Plate



Dimension - 12"

Weight - 0.550gm

Finish - Antique Brass, Polished Nickle, Satin Nickle, Oil Rubbed Broze

Material - Brass

PU -11

FDL Push Plates



Dimension - 12" 18"

Weight - 0.864/ 1.390kg

Finish - Polish Nickle, Oil Rubbed Bronze, Satin Nickle, Antique Brass, Polished Brass, Unlacquered

Material - Brass

PU -12



Oxford Push plate

Dimension - 8" 18"

Weight - 0.558gm/ 1.860kg

Finish - Unlacquered, Antique Copper

Material - Brass/ Investment casting

PU - 13



Gothic Push Plate

Dimension - 16" 23"

Weight - 1.236kg/ 1.790kg

Finish - Polished Brass, Unlacquered

Material - Investment casting

PU -14



Nantucket Push Plate

Dimension - 10" 14"

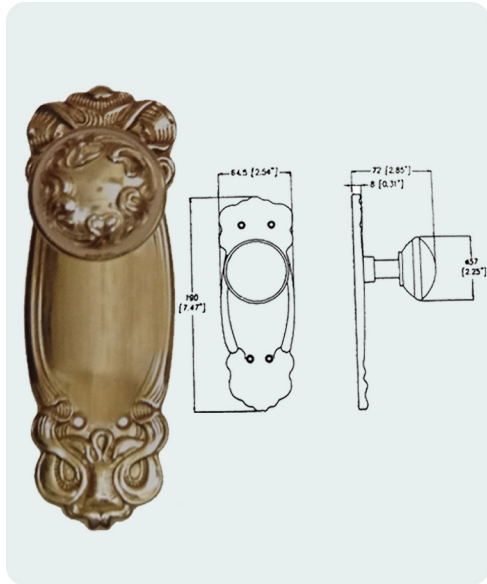
Weight - 0.666gm/ 1.146kg

Finish - Unlacquered, Oil Rubbed Bronze, Chrome Plated

Material - Solid Forged Brass

PU -15

Door Plates & Knob

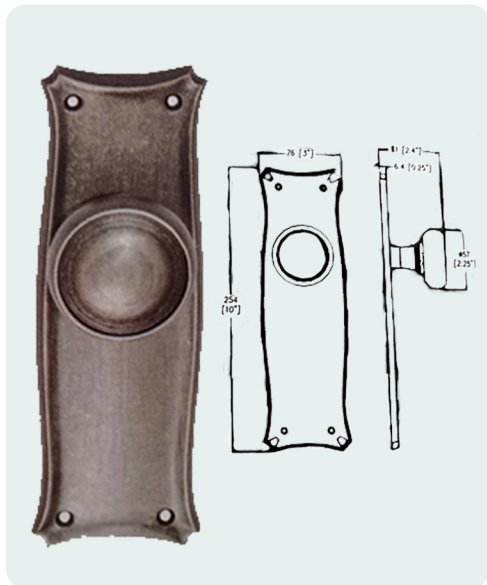


Dimension - (7.47")

Weight - 0.246/ 0.211gm

Material - Brass

P170/ K170

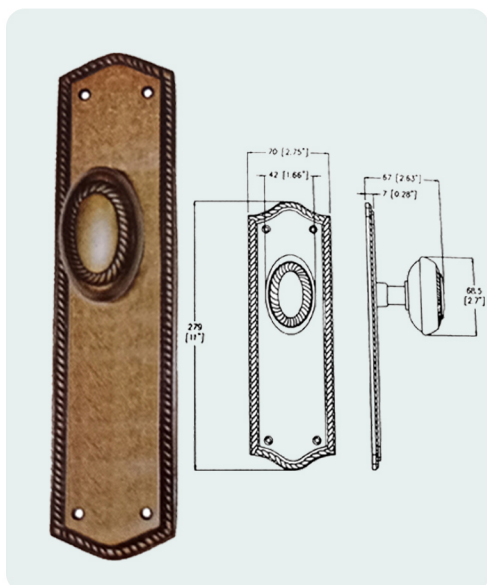


Dimension - (10")

Weight - 0.241/ 0.320gm

Material - Brass

P1168/ K1168



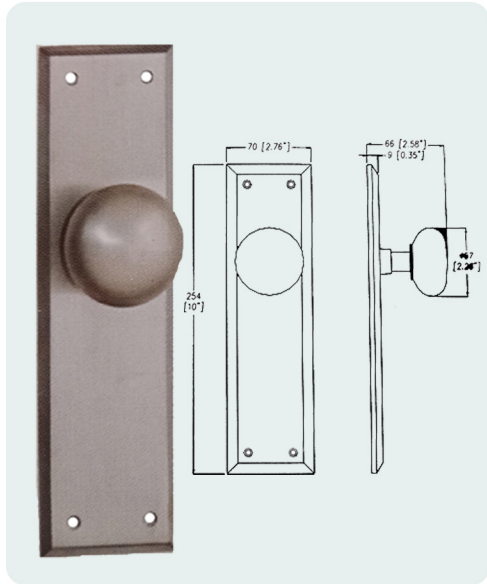
Dimension - (11")

Weight - 0.558/ 0.315gm

Material - Brass

P660L/ K1108

Door Plates & Knob

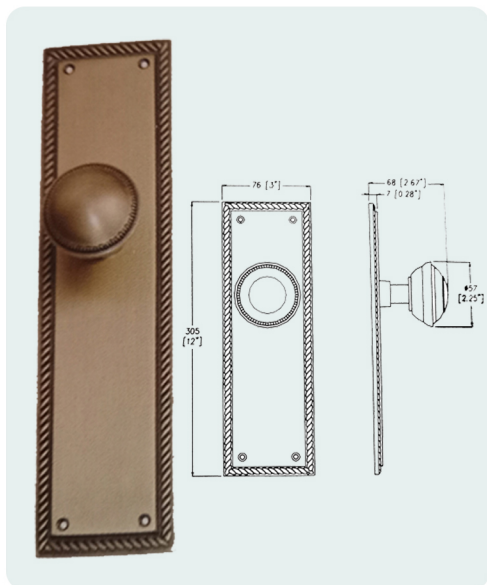


Dimension - (10")

Weight - 0.360/ 0.207gm

Material - Brass

P702/ K 702

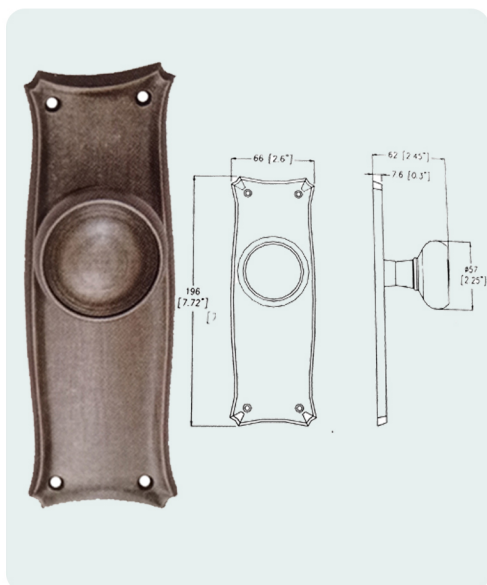


Dimension - (12")

Weight - 0.644/ 0.148gm

Material - Brass

P129/K129



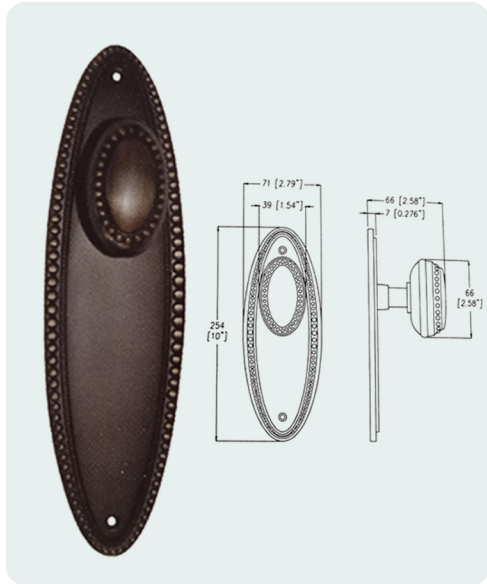
Dimension - (7.72")

Weight - 0.326/ 0.320gm

Material - Brass

PL1168/ K 1168

Door Plates & Knob

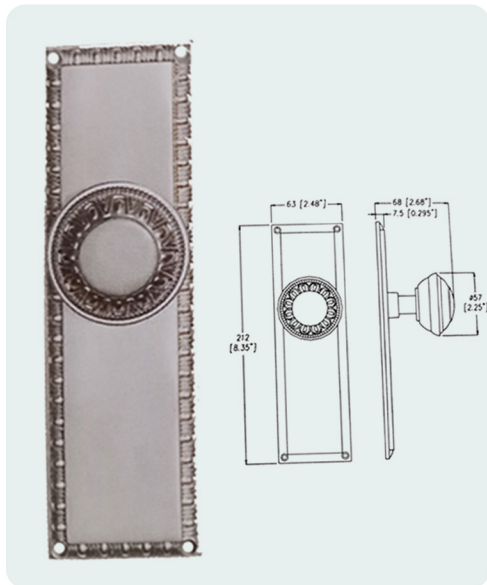


Dimension - (10")

Weight - 290/ 0.192gm

Material - Brass

P435/ K436



Dimension - (8.35")

Weight - 0.224/ 0.172gm

Material - Brass

P530/ K528



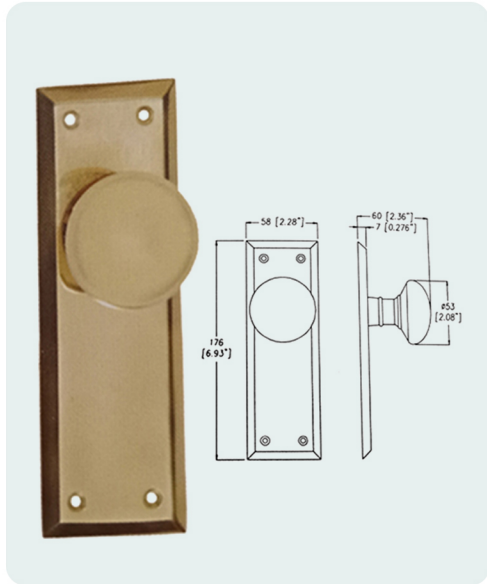
Dimension - (6.93")

Weight - 0.206/ 0.196gm

Material - Brass

PS435/ K437

Door Plates & Knob

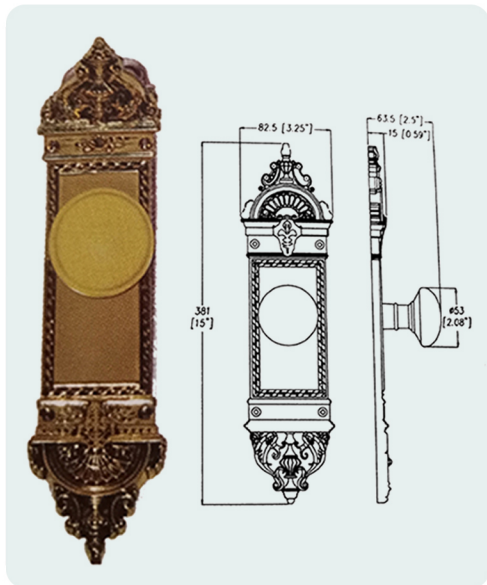


Dimension - (6.93")

Weight - 0.165/ 0.207gm

Material - Brass

P702/ K667

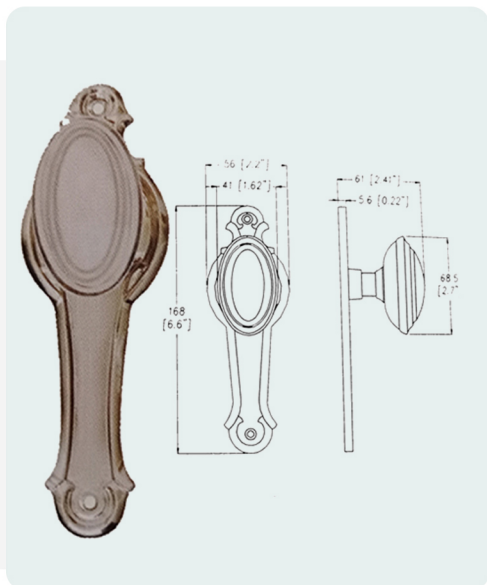


Dimension - (15")

Weight - 0.805/ 0.207gm

Material - Brass

P4815/ K667



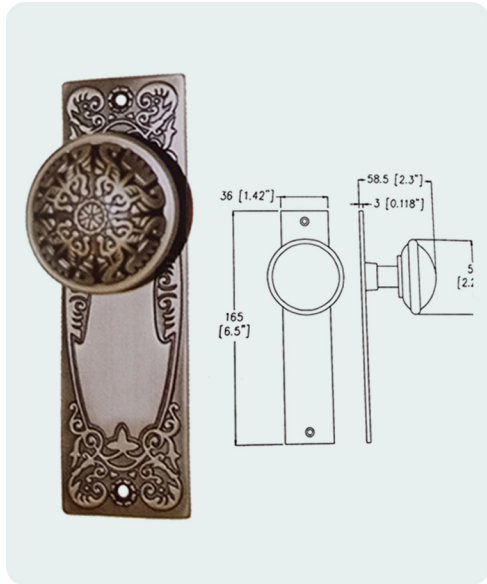
Dimension - (6.6")

Weight - 0.150/ 0.172gm

Material - Brass

P341/ K029

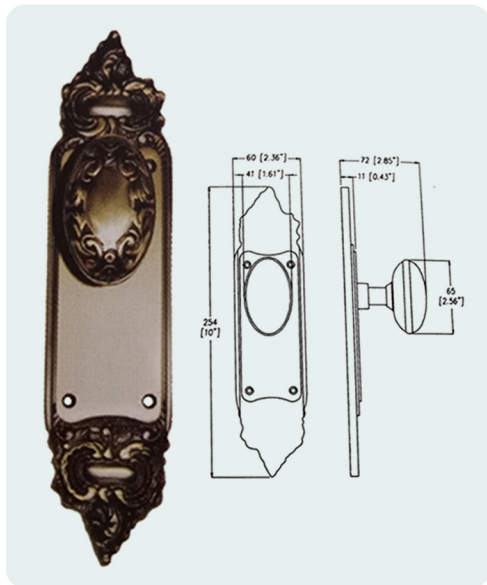
Door Plates & Knob



Dimension - (6.5")

Material - Brass

P389/ K119

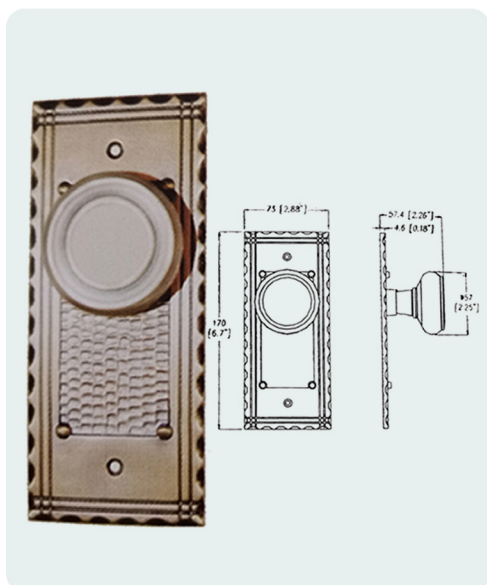


Dimension - (10")

Weight - 0.205/ 0.162gm

Material - Brass

P437/ K220



Dimension - (6.7")

Weight - 0.226/ 0.326gm

Material - Brass

P371/ KP1

